

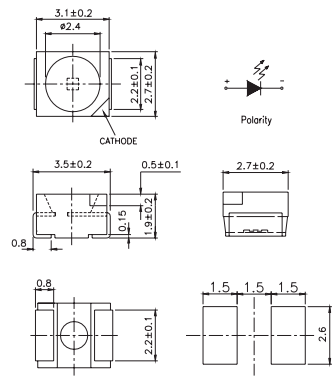
SMD LED
High Power LED

Table of Content

<i>Table of Content</i>	<i>1</i>
<u><i>Reflector Type (PLCC, Mini LED, U LED)</i></u>	<u><i>SR-1</i></u>
<i>High Power (0.5W, 1W, 3W, 5W, 10W)</i>	<i>SH-1</i>

SMD LED — Reflector Type

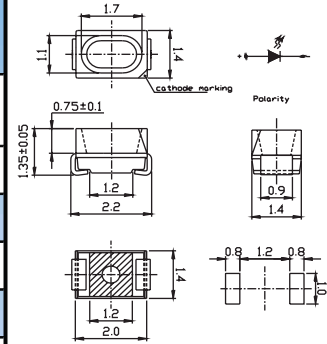
Products	Color	I _F (mA)	λ _D (nm)	V _F (V)		I _V (mcd)		Viewing Angle 2θ 1/2
				Typ	Max	min	typ	
PLCC 2, Top View, 3.1 x 2.7 x 1.9mm								
QBLP670-IB	Blue	20	470	3.1	3.7	225	320	120
QBLP670-IG	True Green	20	525	3.1	3.7	900	1300	120
QBLP670-IW	White	20	--	3.2	3.7	900	1500	120
QBLP670-R	Red	20	624	2.1	2.4	57	140	120
QBLP670-E	Orange	20	615	2.1	2.4	140	180	120
QBLP670-Y	Yellow	20	590	2.1	2.4	57	100	120
QBLP670-AG	Yellow Green	20	570	2.1	2.4	36	72	120



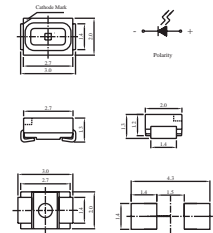
SMD LED

SMD LED — Reflector Type

Products	Material	I _F (mA)	λ _D (nm)	V _F (V)		I _V (mcd)		Viewing Angle 2θ 1/2
				Typ	Max	min	typ	
Mini LED, Top View, 2.2 x 1.4 x 1.35mm								
QBLP675-IB	Blue	20	470	3.2	3.5	180	250	120
QBLP675-IG	True Green	20	525	3.1	3.7	225	350	120
QBLP675-IW	White	20	--	3.1	3.7	715	1400	120
QBLP675-R	Red	20	624	2.0	2.4	72	130	120
QBLP675-Y	Yellow	20	590	2.0	2.4	112	200	120
QBLP675-AG	Yellow Green	20	570	2.0	2.4	72	130	120



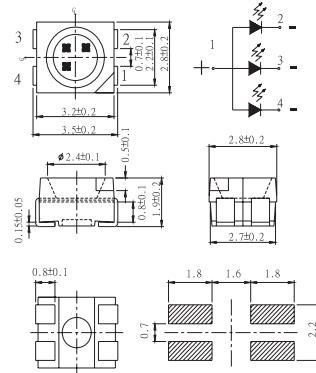
Products	Material	I _F (mA)	λ _D (nm)	V _F (V)		I _V (mcd)		Viewing Angle 2θ 1/2
				Typ	Max	min	typ	
U LED, Top View, 3.0 x 2.0 x 1.3mm								
QBLP676-IW	White	20	--	3.3	3.4	1200	2250	120



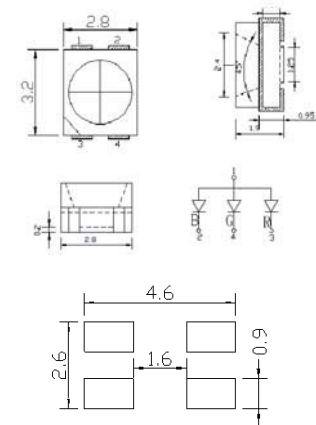
SMD LED

SMD LED — Reflector Type

Products	Material	I _F (mA)	λ _D (nm)	V _F (V)		I _V (mcd)		Viewing Angle 2θ 1/2
				Typ	Max	min	typ	
PLCC 4, Top View, 3.5 x 2.8 x 1.9mm								
QBLP677-IWK	White	60	--	3.2	3.5	3600	5400	120
QBLP677-RAG	Red	20	624	2.1	2.4	57	90	120
	Yellow Green	20	570	2.1	2.4	36	60	120
QBLP677-RGB	Red	20	624	2.1	2.4	180	250	120
	True Green	20	525	3.2	3.8	285	330	120
	Blue	20	470	3.2	3.8	90	120	120



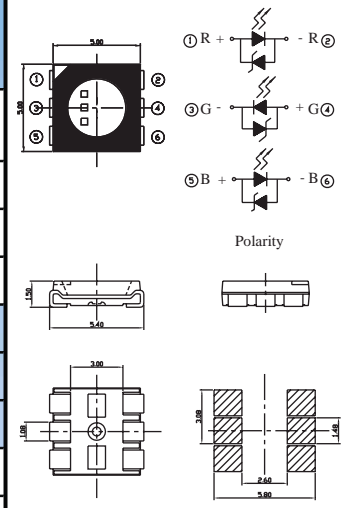
Products	Material	I _F (mA)	λ _D (nm)	V _F (V)		I _V (mcd)		Viewing Angle 2θ 1/2
				Typ	Max	min	typ	
PLCC 4, Top View, 3.5 x 2.8 x 1.9mm (Black Face)								
QBLP677-RGB1	Red	20	624	2.0	2.4	160	210	120
	True Green	20	525	3.2	3.8	700	900	120
	Blue	20	470	3.2	3.8	175	250	120
QBLP677-RGB2	Red	20	624	2.0	2.4	90	--	120
	True Green	20	525	3.2	3.8	600	--	120
	Blue	20	470	3.2	3.8	250	--	120



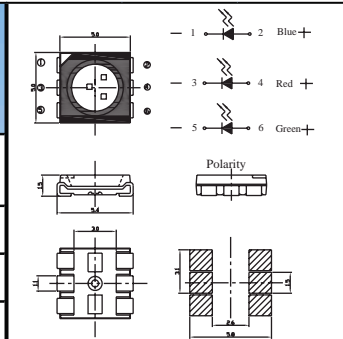
SMD LED

SMD LED — Reflector Type

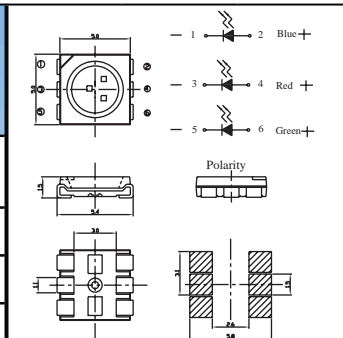
Products	Material	I _F (mA)	λ _D (nm)	V _F (V)		I _V (mcd)		Viewing Angle 2θ 1/2
				Typ	Max	min	typ	
PLCC 6, Top View, 5.0 x 5.0 x 1.5mm (Black Face)								
QBLP679-RGB2	Red	20	624	2.1	2.4	500	580	120
	True Green	20	525	3.3	4.0	700	950	120
	Blue	20	470	3.3	4.0	160	210	120
QBLP679-RGB3	Red	20	624	2.0	2.5	300	450	120
	True Green	20	525	3.2	3.7	600	900	120
	Blue	20	470	3.0	3.5	120	170	120
QBLP679-RGB4	Red	20	624	1.9	2.4	460	570	120
	True Green	20	525	3.2	3.8	780	1500	120
	Blue	20	470	3.2	3.8	120	260	120



Products	Material	I _F (mA)	λ _D (nm)	V _F (V)		I _V (mcd)		Viewing Angle 2θ 1/2
				Typ	Max	min	typ	
PLCC 6, Top View, 5.0 x 5.0 x 1.5mm (Black Face)								
QBLP679-RGB1	Red	20	624	2.1	2.4	285	320	120
	True Green	20	525	3.3	4.0	1120	1400	120
	Blue	20	470	3.3	4.0	360	420	120



Products	Material	I _F (mA)	λ _D (nm)	V _F (V)		I _V (mcd)		Viewing Angle 2θ 1/2
				Typ	Max	min	typ	
PLCC 6, Top View, 5.0 x 5.0 x 1.5mm (White Face)								
QBLP679-RGB5	Red	20	624	2.1	2.4	285	320	120
	True Green	20	525	3.3	4.0	1120	1400	120
	Blue	20	470	3.3	4.0	360	420	120



SMD LED — High Power

Products	Material	I _F (mA)	λ _D (nm)	V _F (V)		Flux (lm)		Viewing Angle 2θ 1/2
				Typ	Max	min	typ	
1W High Power, Top View with Square Board, 14.5 x 7.2 x 5.0mm								
QBMA682-IWU	White	350	--	3.5	4.0	70	85	120

Products	Material	I _F (mA)	λ _D (nm)	V _F (V)		Flux (lm)		Viewing Angle 2θ 1/2
				Typ	Max	min	typ	
1W High Power, Top View with Star Board, 14.5 x 7.2 x 5.0mm								
QBMS682-IWU	White	350	--	3.5	4.0	70	85	120

SMD LED